

# Utility Safety & Design, Inc.

# BID

DATE December 4, 2020

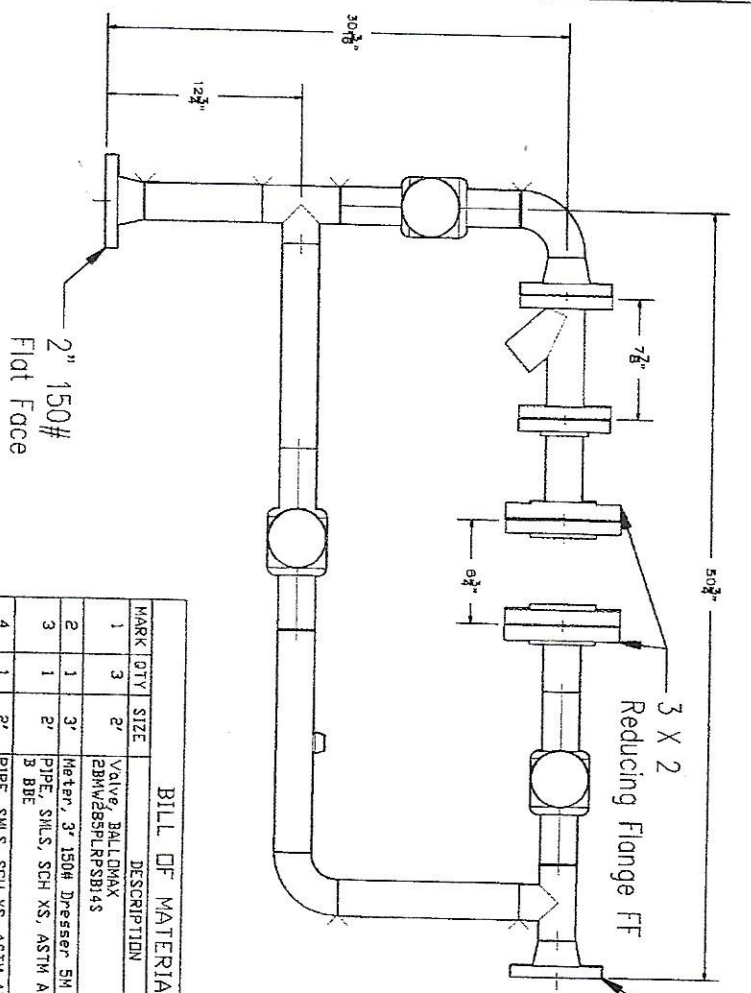
28847 US Hwy 136  
Unionville, Mo. 63565  
Phone: 660-9470-3316  
Fax: 660-947-3146

Prepared by: David Wood

Large Volume Meter Set  
Sewer Plant / Emergency Generator

Description	AMOUNT
Materials per drawing provided by City of Bloomfield	\$ 9,630.80
Labor to weld and pressure test	3,850.00
<b>TOTAL</b>	<b>\$ 13,480.80</b>

THANK YOU FOR YOUR BUSINESS!



BILL OF MATERIAL

MARK	QTY	SIZE	DESCRIPTION	LENGTH	WEIGHT
1	3	2"	Valve, BALLOKX EBHW88SPLRPSB145	0	37.50
2	1	3'	Header, 3' 150# Dresser SM	0	0.0
3	1	2'	PIPE, SMLS, SCH XS, ASTM A106 GR B BBE	46 5/8	19.48
4	1	2'	PIPE, SMLS, SCH XS, ASTM A106 GR B BDE-PBE	9 15/16	4.15
5	2	2'	90 LR ELL, SCH XS, ASTM A234 GR WPB		3.94
6	2	2'	TEE, SCH XS, ASTM A234 GR WPB		9.39
7	5	2'	FLG WELD NECK, 150LB, SCH XS, ASTM A105 Flat Face		42.00
8	1	2'	FLG SLIP DN, 150LB, ASTM A105 Flat Face		5.00
9	8	5/8"	(4) STUD BOLTS W/ NUTS, 3 1/2 LG, ASTM A193/194 GR B7/2H Zinc Ptd.	3 1/2	8.00
10	4	5/8"	(4) STUD BOLTS W/ NUTS, 4 LG, ASTM A193/194 GR B7/2H Zinc Ptd.	4	4.00
11	7	2"	GASKET, 150LB, 1/16" Gorkok FF		7.00
12	2	3"	GASKET, 150LB, 1/16" Gorkok FF		2.00
13	2	2"x1/4"	THRD-D-LET, THRD, 3000LB, ASTM A105		0.10
14	2	3"x2"	FLG RED SD, 150LB, ASTM A105 Flat Face		16.00
TOTAL WEIGHT:					158.85

